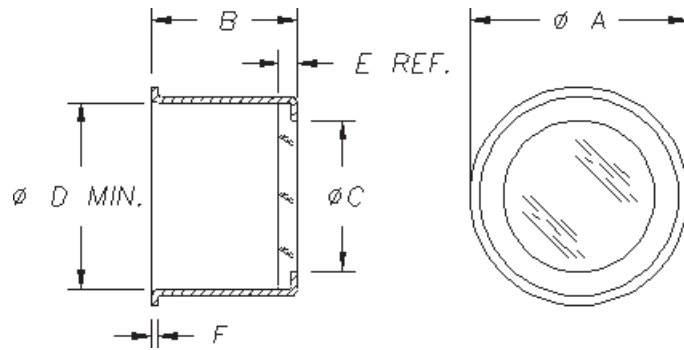


# Window Caps

## W500 / JEDEC TO-8 (.500) Series Window Caps

### Outline - Glass Windows



#### Notes:

- Parts subject to revision without notice.
- Call to verify design, inventory counts and pricing.
- \$750 minimum order.
- For sapphire windows, "E" is the sapphire only thickness.

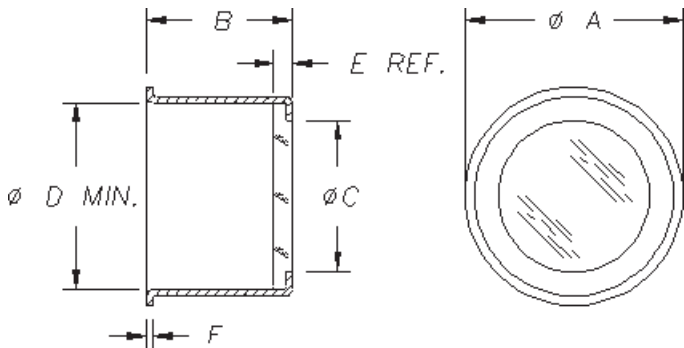
### Details

Part Number	A	B	C	D	E	F	WR	10° Flg	Glass / Lens Mat'l	Polish
WWR500-125	.500	.125	.375	.429	.040	.010		y	SODA LIME	
W500-125	.500	.125	.375	.431	.040	.010			SODA LIME	
WSA500-153-310	.500	.153	.310	.429	.020	.010			SAPPHIRE	
WWR500-157-375PL	.500	.155	.375		.429	.010		y	BOROSILICATE	
WWRSA500-155-375	.500	.155	.375	.430	.020	.010		y	SAPPHIRE	
W500-157-375	.500	.155	.375	.430 REF.	.040	.010			SODA LIME	
W500-187-375PL	.500	.187	.375	.429	.040	.010			BOROSILICATE	
W500-187	.500	.187	.375	.429	.040	.010	y		SODA LIME	
WSA500-250-305	.500	.250	.308	.430	.040	.010			SAPPHIRE	
W500-250-305	.500	.250	.308	.430 REF.	.040	.010			SODA LIME	
WWRSA500-250-310-2	.500	.250	.310	.429	.020	.010		y	SAPPHIRE	80/50
WSA500-250-310	.500	.250	.310	.429	.040	.010			SAPPHIRE	80/50
WWRSA500-250-310	.500	.250	.310	.429	.040	.010		y	SAPPHIRE	80/50
WWRSA500-250-310-1	.500	.250	.310	.429	.050	.010		y	SAPPHIRE	80/50
WWR500-250-375	.500	.250	.375	.429	.040	.010		y	SODA LIME	
W500-250-375	.500	.250	.375	.429	.040	.010	y		SODA LIME	
WWR500-330-250PL	.500	.330	.250	.430	.040	.010		y	SODA LIME	
WWRSA500-330-310	.500	.330	.310	.430	.040	.010		y	SAPPHIRE	
WWR500-330-375-80/50PL	.500	.330	.375	.430	.040	.010		y	BOROSILICATE	80/50
W500-410-200	.500	.410	.200	.429	.040	.010			SODA LIME	
W500-410-250PL	.500	.410	.250	.429	.030	.010			BOROSILICATE	
WWR500-410-250PL	.500	.410	.250	.429	.030	.010		y	BOROSILICATE	
WSA500-1250-310	.500	1.250	.310	.429	.020	.020			SAPPHIRE	80/50
W540-157	.543	.157	.400	.465	.040	.010			SODA LIME	
W540-157-410-005PL	.543	.157	.408	.465	.040	.005			SODA LIME	
W540-157-410	.543	.157	.408	.465	.040	.010			SODA LIME	
W543-157-408-80/50PL	.543	.157	.408	.465	.040	.010			BOROSILICATE	80/50
W540-157-430PL	.543	.157	.430	.465	.040	.010			BOROSILICATE	
W540-157-430PLSP	.543	.157	.430	.465	.040	.010			BOROSILICATE	
W540-157-430	.543	.157	.430	.465	.040	.010			SODA LIME	
WUV540-157-430	.543	.160	.430	.465	.040	.010			UV	
W540-167-430	.543	.167	.430	.465	.040	.010			SODA LIME	
W540-197	.543	.197	.410	.465	.125 MIN.	.010			SODA LIME	
W540-157PL	.543*	.157*	.430*	.465*		.010*			BOROSILICATE	
W552-103	.552	.105	.408	.502	.030	.010			SODA LIME	
W570-085	.569	.085	.405	.504	.030	.015			SODA LIME	
W569-165-400	.569	.165	.400	.465	.040	.015			SODA LIME	
W575-125	.575	.120	.375	.465	.040	.015			SODA LIME	

# Window Caps

## W500 / JEDEC TO-8 (.500) Series Window Caps

### Outline - Glass Windows



- Notes:
- Parts subject to revision without notice.
  - Call to verify design, inventory counts and pricing.
  - \$750 minimum order.
  - For sapphire windows, "E" is the sapphire only thickness.

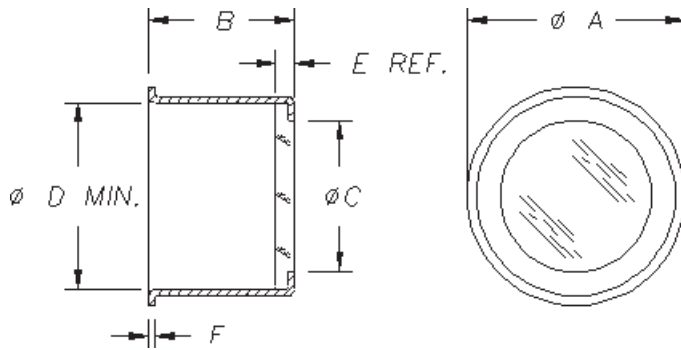
### Details

Part Number	A	B	C	D	E	F	WR	10° Flg	Glass / Lens Mat'l	Polish
W575-125-415	.575	.120	.415	.465	.040	.015			SODA LIME	
W575-130	.575	.130	.415	.465	.040	.015			SODA LIME	
W575-165-375PL	.575	.165	.375	.465	.040	.015			BOROSILICATE	
W575-165	.575	.165	.375	.465	.040	.015			SODA LIME	
WUV575-165	.575	.165	.375	.465	.040	.015			UV	
WSA575-165-375	.575	.165	.375	.468	.030	.015			SAPPHIRE	
W575-165-400	.575	.165	.400	.465	.040	.015			SODA LIME	
W593-160-475	.593	.160	.475	.530	.040	.010			SODA LIME	

# Window Caps

## W600 / JEDEC TO-8 (.600) Series Window Caps

### Outline - Glass Windows



#### Notes:

- Parts subject to revision without notice.
- Call to verify design, inventory counts and pricing.
- \$750 minimum order.
- For sapphire windows, "E" is the sapphire only thickness.

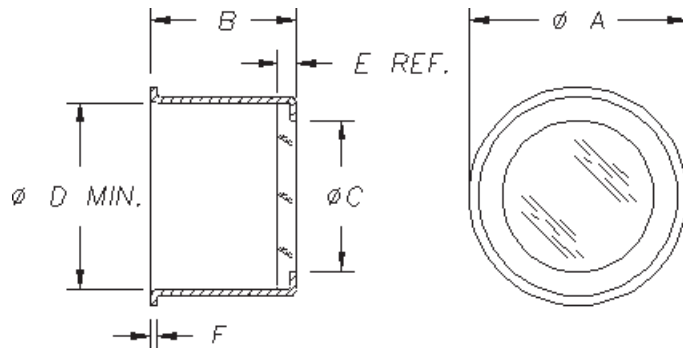
### Details

Part Number	A	B	C	D	E	F	WR	10° Flg	Glass / Lens Mat'l	Polish
W593-125-475	.593	.125	.475	.530	.040	.010	y		SODA LIME	
WWR600-148-437	.595	.148	.437	.530	.040	.010		y	SODA LIME	
WWRSA600-125-375	.600	.125	.375	.530	.030	.010		y	SAPPHIRE	80/50
WSA600-125-437	.600	.125	.437	.530	.030	.010			SAPPHIRE	
WWRSA600-125-437	.600	.125	.437	.530	.030	.010		y	SAPPHIRE	
W600-125	.600	.125	.437	.530	.040	.010			SODA LIME	
WWR600-125	.600	.125	.437	.530	.040	.010		y	SODA LIME	
W600-125-475	.600	.125	.475	.530	.040	.010			SODA LIME	
WWR600-127-437PL	.600	.127	.437	.530	.040	.010		y	BOROSILICATE	
W600-148-437	.600	.148	.437	.530	.040	.010			SODA LIME	
W600-148-437PL	.600	.148	.437	.530	.040	.010			BOROSILICATE	60/40
W600-148-437-60/40PLS	.600	.148	.437	.530	.040	.010			BOROSILICATE	60/40
WWR600-148-437-80/50PL	.600	.148	.437	.530	.040	.010		y	BOROSILICATE	
W600-148	.600	.148	.475	.530	.050	.010			SODA LIME	RAISED
WSA600-160-437	.600	.160	.437	.528	.030	.010			SAPPHIRE	
WSA600-160-437-418	.600	.160	.437	.528	.030	.010			SAPPHIRE	
W600-160-475	.600	.160	.475	.530	.040	.010			SODA LIME	
W600-160-475PL	.600	.160	.475	.530	.060	.010			BOROSILICATE	
W600-187	.600	.187	.437	.530	.040	.010			SODA LIME	
WSA600-202-437	.600	.202	.437	.529	.030	.010			SAPPHIRE	
W600-202-437PL	.600	.202	.437	.530	.040	.010			BOROSILICATE	
W600-202	.600	.202	.437	.530	.040	.010			SODA LIME	
WUV600-202-437	.600	.202	.437	.530	.040	.010			UV	
W600-202-437-40/05	.600	.202	.437	.530	.040	.010			SODA LIME	40/05
W600-225-437PL	.600	.220	.437	.530	.040	.010			BOROSILICATE	
WWRSA600-245-375	.600	.245	.375	.530	.030	.010		y	SAPPHIRE	60/40
WSA600-250-437	.600	.250	.437	.530	.030	.010			SAPPHIRE	
WWRSA600035-250	.600	.250	.437	.530	.035	.010		y	SAPPHIRE	
W600-250-437PL	.600	.250	.437	.530	.040	.010			BOROSILICATE	
WUV600-250-437	.600	.250	.437	.530	.040	.010			UV	
W600-250-437-40/05	.600	.250	.437	.530	.040	.010			SODA LIME	40/05
W600-250-437-60/40PLS	.600	.250	.437	.530	.040	.010			BOROSILICATE	60/40
WWR600-250-437PL	.600	.250	.437	.530	.040	.010		y	BOROSILICATE	
WWR600-250	.600	.250	.437	.530	.040	.010		y	SODA LIME	
W600-250-10	.600	.250	.437	.530	.040	.010	y		SODA LIME	
WSA600-260-310-60/40	.600	.260	.310	.430	.040	.010			SAPPHIRE	60/40
WSA600-260-310	.600	.260	.310	.430	.040	.010			SAPPHIRE	80/50
WWRSA600-265-375	.600	.265	.375	.530	.020	.010		y	SAPPHIRE	60/40

# Window Caps

## W600 / JEDEC TO-8 (.600) Series Window Caps

### Outline - Glass Windows



#### Notes:

- Parts subject to revision without notice.
- Call to verify design, inventory counts and pricing.
- \$750 minimum order.
- For sapphire windows, "E" is the sapphire only thickness.

### Details

Part Number	A	B	C	D	E	F	WR	10° Flg	Glass / Lens Mat'l	Polish
WWRSA600-270-437	.600	.270	.437	.530	.030	.010		y	SAPPHIRE	
WSA600-320-437	.600	.320	.437	.530	.030	.005			SAPPHIRE	
W600-325-250-018PL	.600	.325	.250	.530	.018	.010			BOROSILICATE	
W600-360-250	.600	.325	.250	.530	.040	.010			SODA LIME	
WSA600-325-437	.600	.325	.437	.530	.030	.010			SAPPHIRE	
W600-325-437-60/40PLS	.600	.325	.437	.530	.040	.010			BOROSILICATE	60/40
WWR600-330-437PL	.600	.330	.437	.530	.040	.010		y	BOROSILICATE	
W600-360-250-018PL	.600	.360	.250	.530	.018	.010			BOROSILICATE	
WSA600-360-437	.600	.360	.437	.530	.030	.010			SAPPHIRE	
WWRSA600-360-437	.600	.360	.437	.530	.030	.010		y	SAPPHIRE	
W600-360-437PL	.600	.360	.437	.530	.040	.010			BOROSILICATE	
W600-360-437	.600	.360	.437	.530	.040	.010			SODA LIME	
WWR600-360-437PL	.600	.360	.437	.530	.040	.010		y	BOROSILICATE	
WWRSA600-370-375-1	.600	.370	.375	.530	.020	.010		y	SAPPHIRE	60/40
WWRSA600-370-375	.600	.370	.375	.530	.030	.010		y	SAPPHIRE	80/50
WWRSA600-370-437-1	.600	.370	.437	.530	.020	.010		y	SAPPHIRE	
WWRSA600-370-437	.600	.370	.437	.530	.030	.010		y	SAPPHIRE	
WWR600-370-437-60/40PL	.600	.370	.437	.530	.030	.010		y	BOROSILICATE	60/40
WWR600-370-437-80/50PL	.600	.370	.437	.530	.040	.010		y	BOROSILICATE	80/50
W600-375-250	.600	.375	.250	.530	.040	.010			SODA LIME	
WSA600-375-437-1	.600	.375	.437	.530	.020	.010			SAPPHIRE	
WSA600-375	.600	.375	.437	.530	.030	.010			SAPPHIRE	
WWRSA600-390-437	.600	.390	.437	.530	.030	.010		y	SAPPHIRE	
WSA600-750-437	.600	.750	.437	.530	.030	.010			SAPPHIRE	60/10
WWR600-125-437	.600*	.125*	.437*	.530*	.040*	.010*		y	SODA LIME	
W600-160-437	.600*	.160*	.437*	.530*					SODA LIME	UNK.