

NOTES:

1. DESIGNED TO BE PANEL MOUNTED WITH JAM NUT AND O-RING.
2. SHELL INTERFACE PER MIL-DTL-38999/23 SERIES III
3. CONTACT, ATMOSPHERIC SIDE: #8 BMA COAXIAL PER MIL-STD-348
4. CONTACT, HERMETIC SIDE: SMA PER MIL-STD-348
5. HERMETIC LEAK RATE:  $\leq 1 \times 10^{-9}$  CC/SEC He AT 1 ATM DIFFERENTIAL PRESSURE.
6. DIELECTRIC WITHSTANDING VOLTAGE - NO EVIDENCE OF BREAKDOWN OR FLASHOVER WHEN SUBJECTED TO 500 VAC RMS 60 Hz PER MIL-STD-1344, METHOD 3001. DURATION OF APPLICATION SHALL BE 1 SECOND MINIMUM.
7. INSULATION RESISTANCE - GREATER THAN 5,000 MEGOHMS AT  $50 \pm 10\%$  VDC AT 25°C IAW MIL-STD-1344, METHOD 3003.
8. ELECTRICAL PERFORMANCE  
 IMPEDANCE: 50 OHMS NOMINAL  
 OPERATIONAL FREQUENCY: UP TO 18 GHz  
 INSERTION LOSS:  $\leq 1$  db @ 18GHz
9. PART NUMBER SHALL BE IDENTIFIED BY BASE PART NUMBER, SHELL SIZE/CONTACT ARRANGEMENT KEY PATTERN AND SMA CONNECTOR DIELECTRIC MATERIAL.

WARNING - THIS DOCUMENT CONTAINS TECHNICAL DATA, EXPORT OF WHICH IS RESTRICTED BY THE EXPORT ADMINISTRATION REGULATIONS (EAR). DISCLOSURE TO FOREIGN PERSONS WITHOUT PRIOR U.S. GOVERNMENT APPROVAL IS PROHIBITED. VIOLATIONS OF THE EXPORT LAWS AND REGULATIONS ARE SUBJECT TO SEVERE CIVIL AND CRIMINAL PENALTIES.

ORDER ACCORDING TO THE FOLLOWING

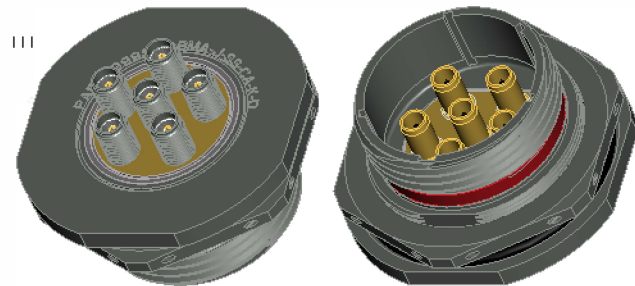
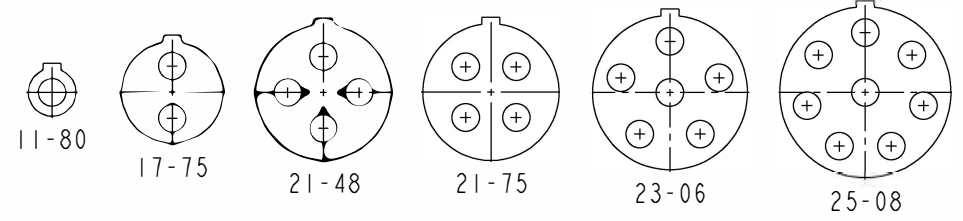
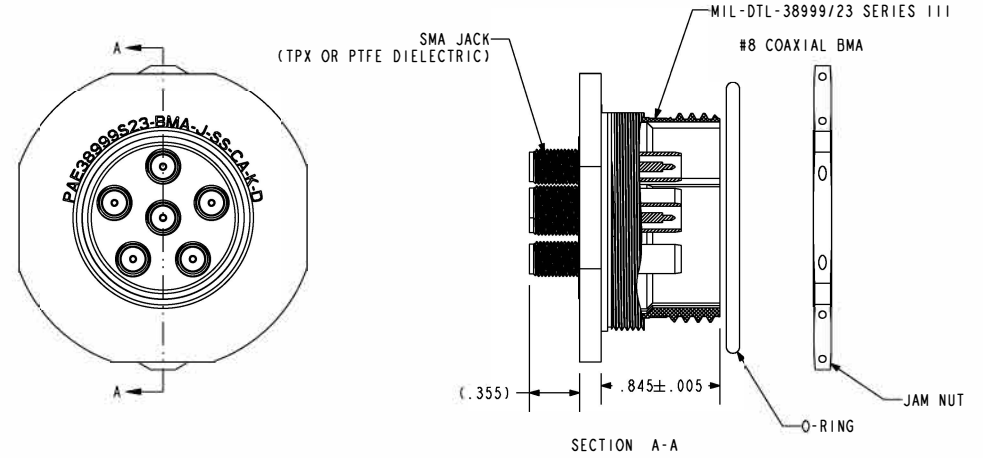
EXAMPLE: PAE38999S23-BMA-J- SS-CA - K - D

- SMA DIELECTRIC MATERIAL
  - T = TPX
  - P = PTFE (TEFLON)
- KEYWAY PATTERN
  - N
  - A
  - B
  - C
  - D
  - E
- SHELL SIZE AND CONTACT ARRANGEMENT
  - 11-80 (SHELL SIZE 11, 1 CONTACT)
  - 17-75 (SHELL SIZE 17, 2 CONTACTS)
  - 21-48 (SHELL SIZE 21, 4 CONTACTS)
  - 21-75 (SHELL SIZE 21, 4 CONTACTS)
  - 23-06 (SHELL SIZE 23, 6 CONTACTS)
  - 25-08 (SHELL SIZE 25, 8 CONTACTS)
- BASE PART NUMBER

MATERIALS:

- SHELL AND SMA BARREL: STAINLESS 304L (PASSIVATED)
- FEEDTHRU INSERT: KOVAR ASTM-F15
- BMA OUTER CONTACT: BERYLIUM COPPER ASTM-B196/197
- BMA CENTER PIN: KOVAR ASTM-F15
- INSULATOR: 7070 GLASS
- JAM NUT: STAINLESS STEEL
- O-RING: SILICONE
- BMA PLATING:
  - Ni PLATE PER AMS-QQ-N-290, .000100/.000250 THICK
  - GOLD PLATE PER ASTM-B488, TYPE III CODE A, .000050/.000150

RECOMMENDED HOLE DETAIL PER MIL-DTL-38999/23 SERIES III



**HERMETIC SOLUTIONS GROUP**  
Enabling Technology

TITLE: RECEPTICAL, CIRCULAR, RF		THIRD ANGLE PROJECTION 	
JIC: EAR		DOCUMENT: 0-PAE38999S23-BMA-J	
VERSION A.0	RELEASE DATE: 02-04-15	SALES DRAWING	CAGE CODE: 64567
		SCALE: 1.000	SHEET: 1 OF 1