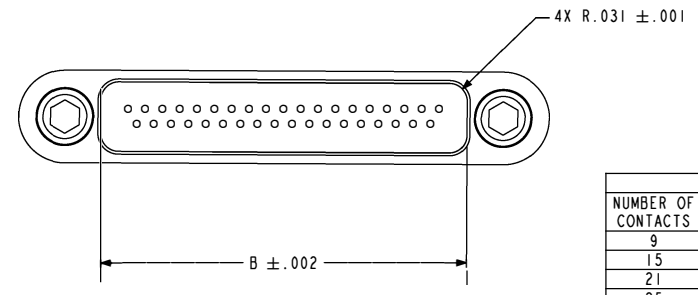
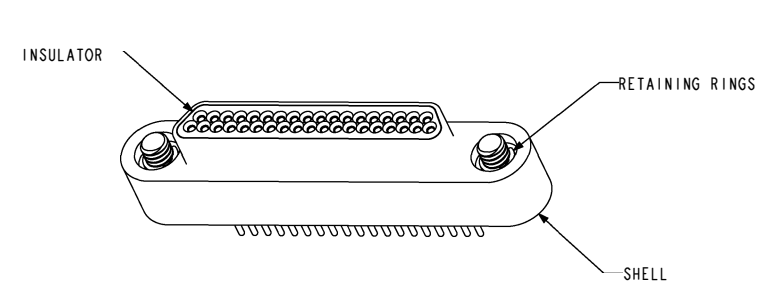
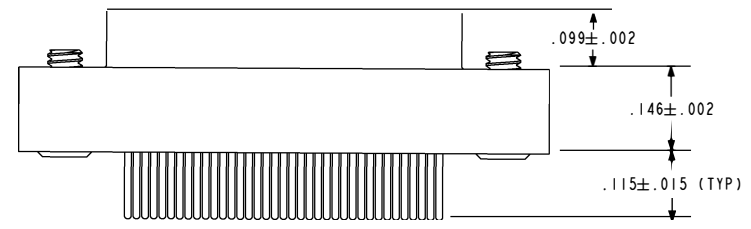
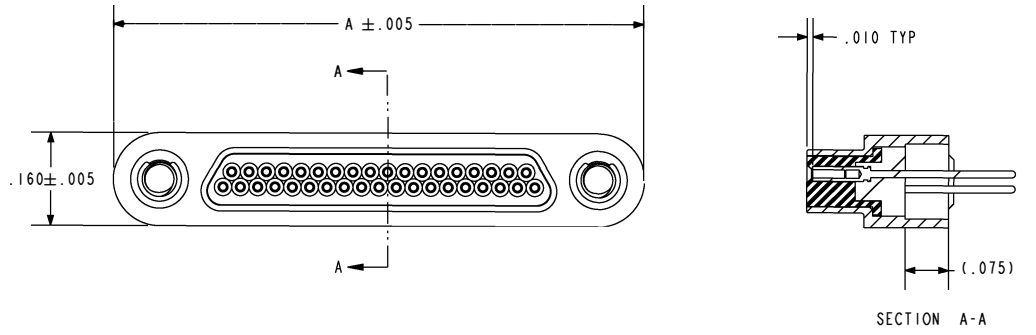
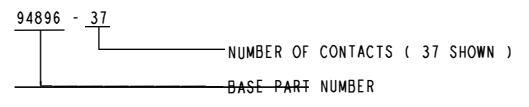
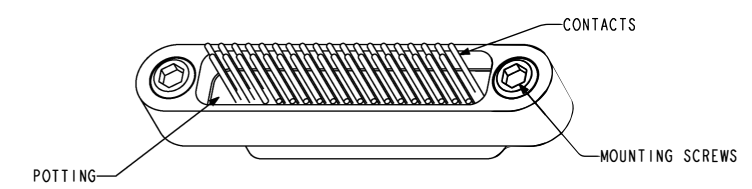


NOTES:

1. HOLE DIMENSIONS PER PAE-40458.
2. DESIGNED TO MATE WITH PAE JR-D RECEPTACLE CONNECTORS.
3. ELECTRICAL REQUIREMENTS:
  - INSULATION RESISTANCE: GREATER THAN 5,000 MEGOHMS AT  $500 \pm 10\%$  AT  $25^\circ\text{C}$  WHEN TESTED IAW MIL-STD-1344 METHOD 3003.
  - DIELECTRIC WITHSTANDING VOLTAGE: MUST SHOW NO EVIDENCE OF BREAKDOWN OR FLASHOVER WHEN SUBJECTED TO 600 VAC RMS 60Hz IAW MIL-STD-1344, METHOD 3001. DURATION OF APPLICATION TO BE 1 SEC MIN.
4. MATERIALS:
  - SHELL EXPLOSION BONDED STAINLESS STEEL TO 4XXXX-SERIES ALUMINUM.
  - CONTACTS: BERYLLIUM-COPPER IAW ASTM B196 OR ASTM B197.
  - INSULATIONS: KYROFLEX 313 PROPRIETARY POLYCRYSTALLINE CERAMIC.
  - INTERFACIAL SEAL: FLOUROSILICONE RUBBER IAW MIL-R-25988, CLASS i, TYPE ii, GRADE 60.
  - HELICAL INSERTS: 300-SERIES STAINLESS STEEL.
5. ORDERING INFORMATION:
  - PLEASE SPECIFY ACCORDING TO THE FOLLOWING:



NUMBER OF CONTACTS	A	B
9	.500	.225
15	.590	.315
21	.680	.405
25	.740	.465
31	.830	.555
37	.920	.645
51	1.130	.855



SCALE 2.500  
 94663-37 SHOWN



TITLE: CONNECTOR, RG, JR-D, PLUG

THIRD ANGLE PROJECTION

CAGE CODE: 64567

SALES DRAWING

SHEET: 1 OF 1

DOCUMENT: 0-94896

VERSION: .0  
 RELEASE DATE: 05-22-12